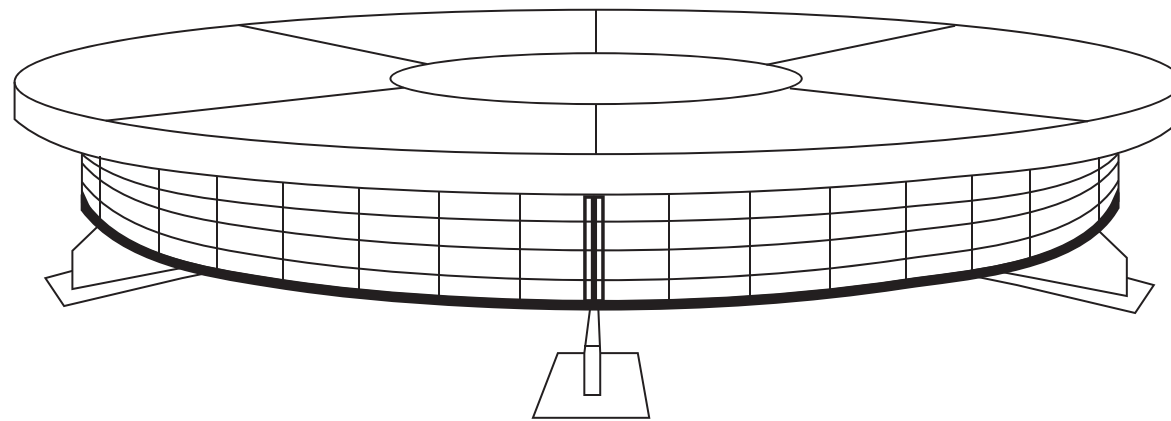
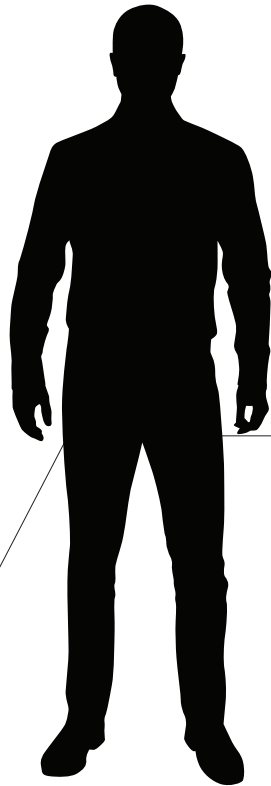
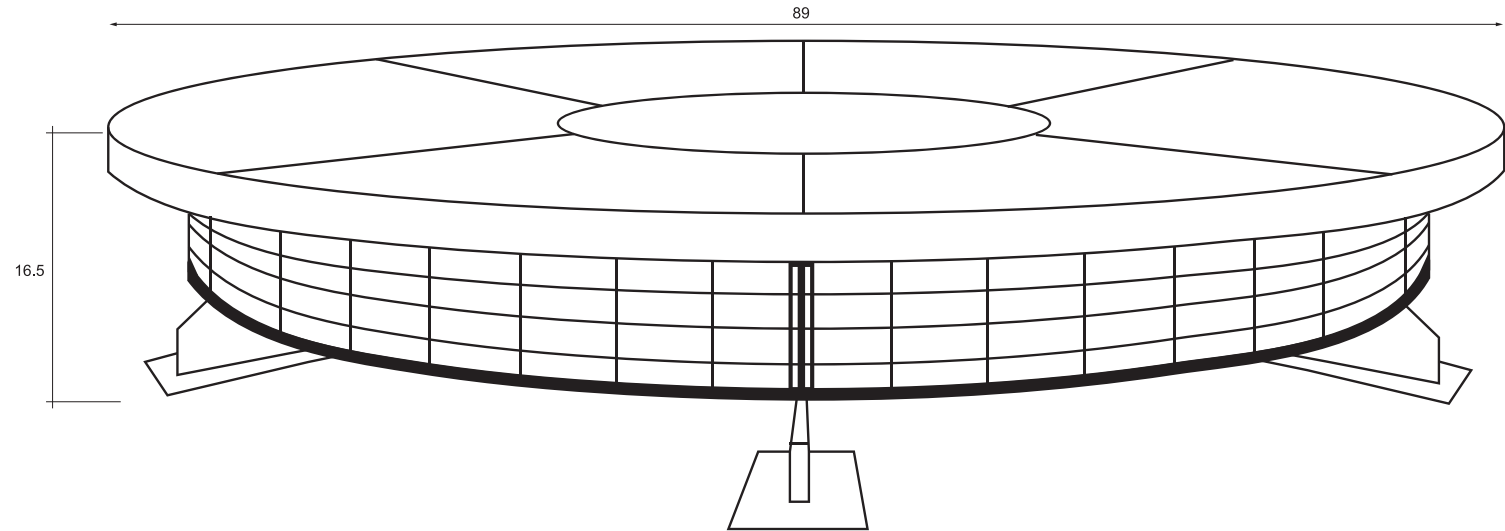
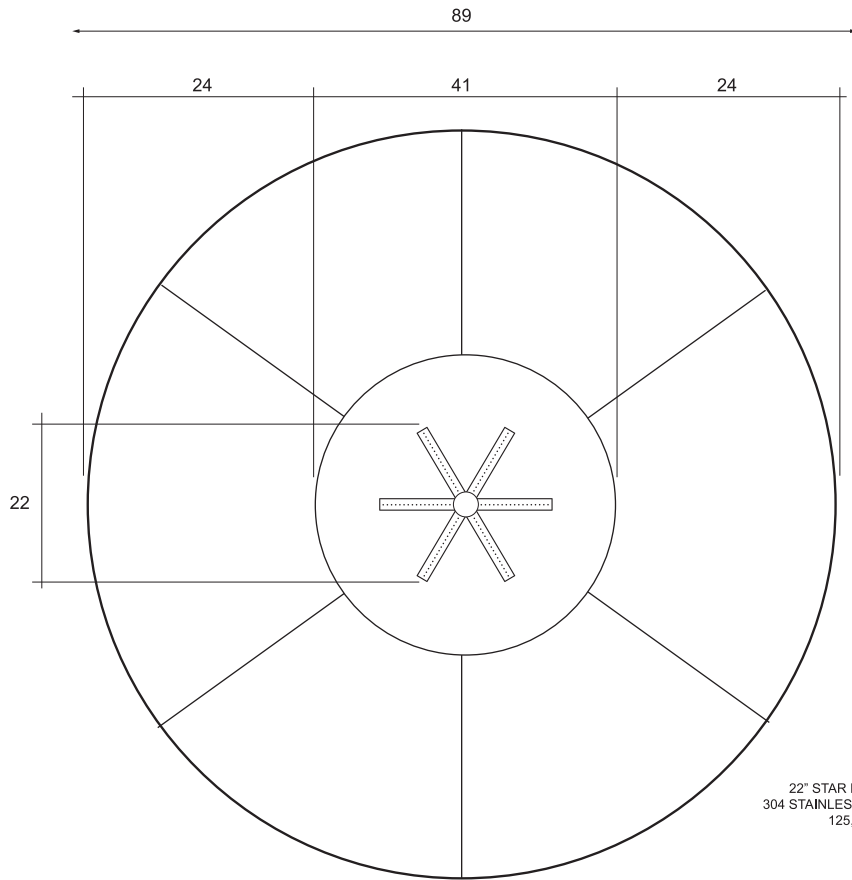


PROJECT: FUEGO
COLOR: PEWTER
FINISH: SMOOTH



THE **FUEGO**

PROJECT: FUEGO
COLOR: PEWTER
FINISH: SMOOTH

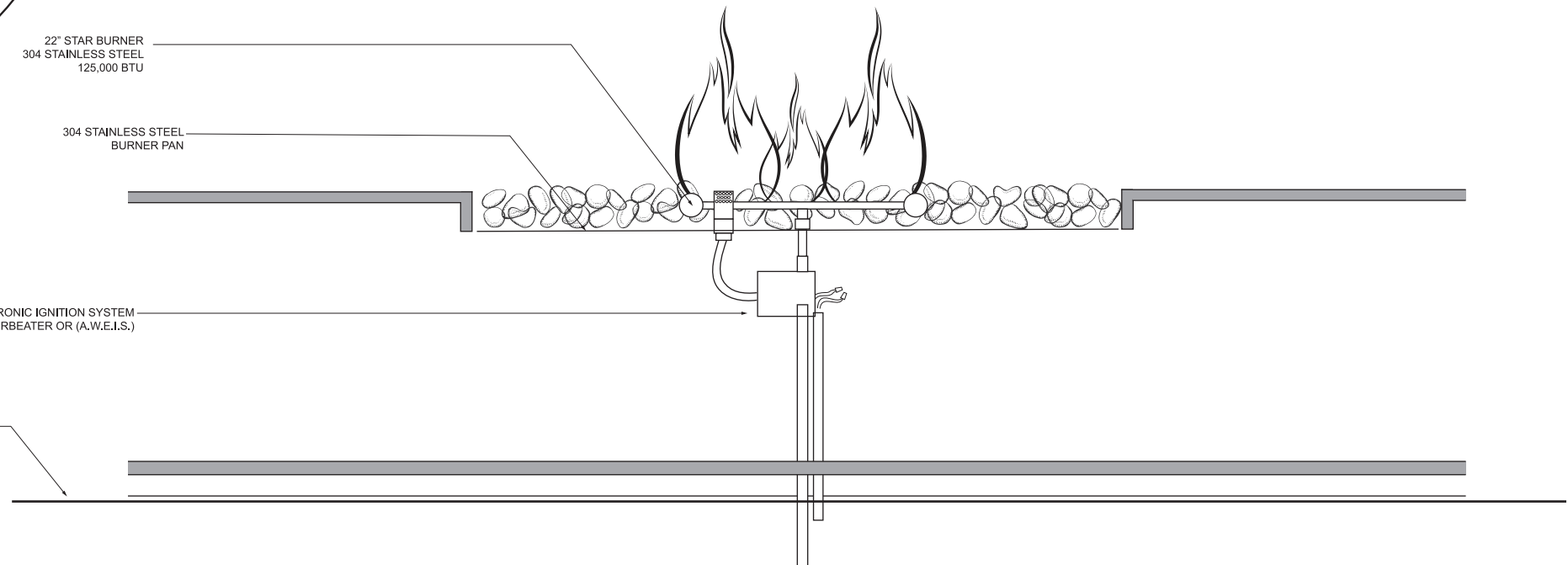


22" STAR BURNER
304 STAINLESS STEEL
125,000 BTU

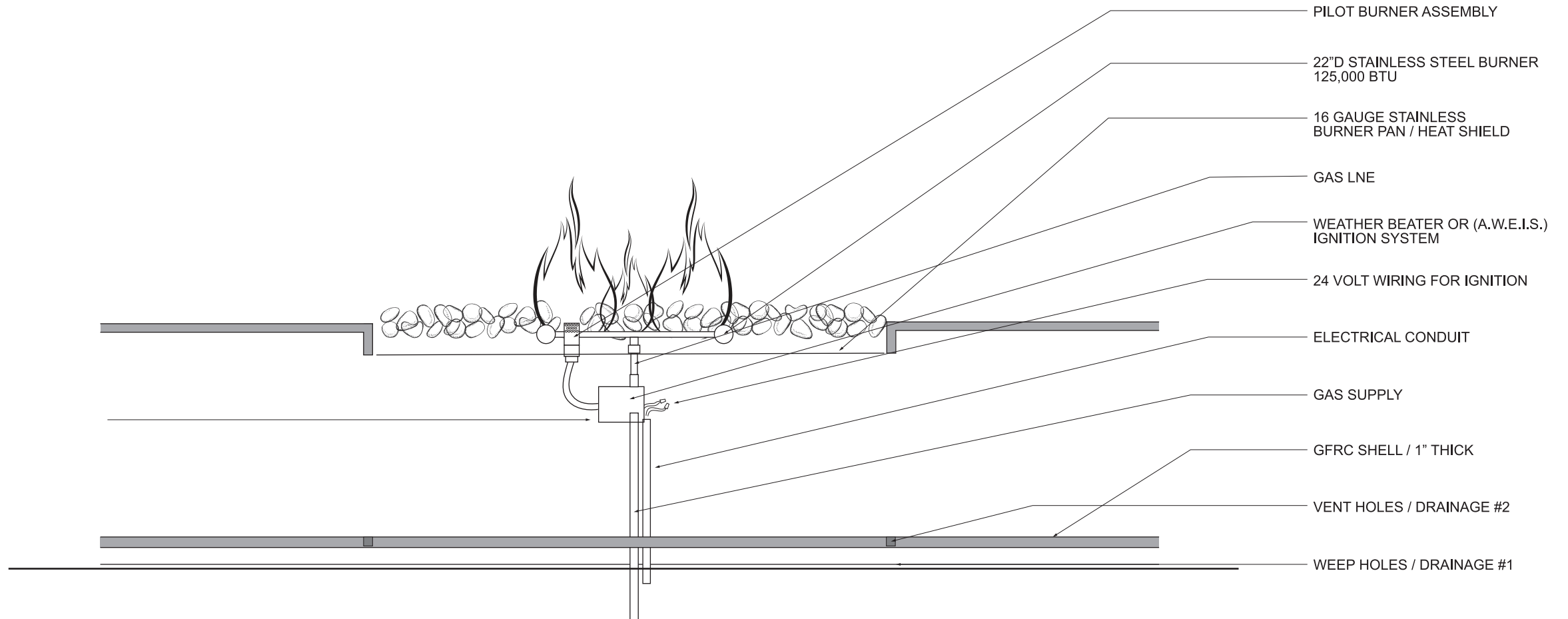
304 STAINLESS STEEL
BURNER PAN

ELECTRONIC IGNITION SYSTEM
WEATHERBEATER OR (A.W.E.I.S.)

NON-COMBUSTABLE CONCRETE SLAB



PROJECT: FUEGO
COLOR: PEWTER
FINISH: SMOOTH



PROJECT: FUEGO
COLOR: PEWTER
FINISH: SMOOTH

OVERHEAD STRUCTURE
INCLUDES ROOF, OVERHANG, PERGOLA SCREEN OR TRELIS

POST FOR OVERHANG

83

36

36

RESIDENTIAL OR
COMMERCIAL BUILDING
ON NO MORE THAN
TWO SIDES



COMBUSTABLE DECKING IF USED

92" DIAMETER CONCRETE SLAB

COMBUSTABLE DECKING IF USED

NON-COMBUSTABLE ZONE SLAB UNDER FIRE BOWL
APPLIES TO COMBUSTABLE MATERIALS SUCH AS
DECKING, JOIST, TRUSSES