

# 2023 POOL PRODUCT GUIDE



# PRISM

HARDSCAPES



Full Product Catalog

Prism Hardscapes proudly presents the Poolside elements of a beautiful poolside area to outdoor living. The combination of fire and water that will dazzle the eyes and soothe the soul with the soothing sounds of falling water.



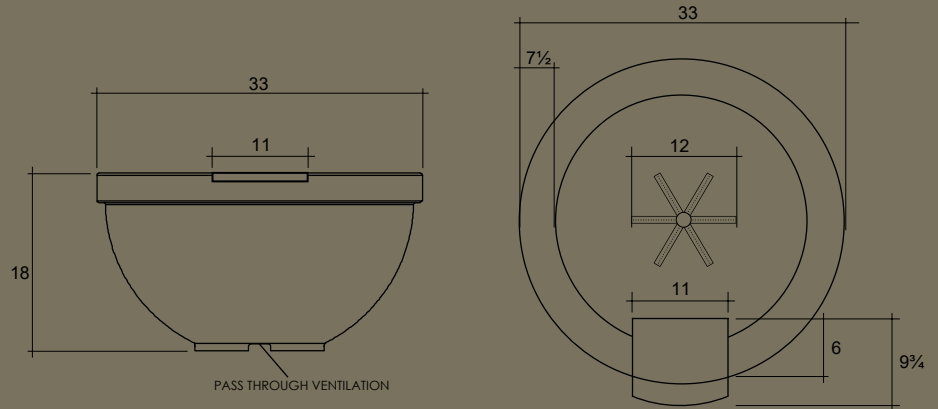


e Collection, a line of products that bring two  
r living spaces. Live in the lap of luxury with  
e the night and allow anyone to relax to the



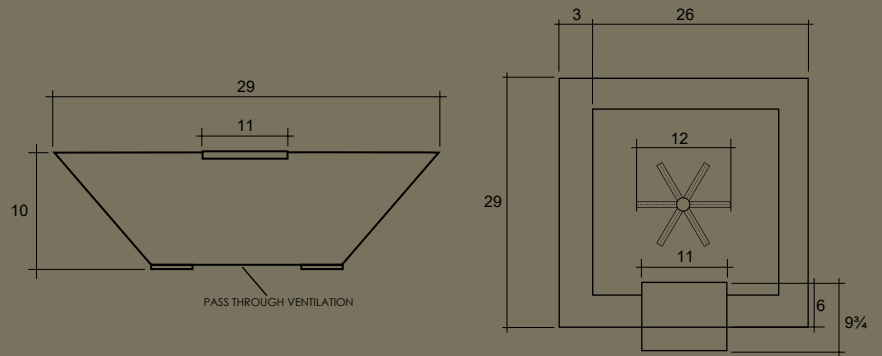
# Sorrento

SPECIFICATIONS	
Diameter	33"
Height	18"
Water Flow	15 GPM
Connection	¾" NPT
Burner Size	12" 6-spoke/65,000-85,000 BTUs (ML/E)
Weight	196 lbs.
Fuel Source	Liquid Propane or Natural Gas
Ignition	PH-Ignite (Electronic)/Key Valve (match lite)
Material	Glass fiber reinforced concrete
Media	Lava rock



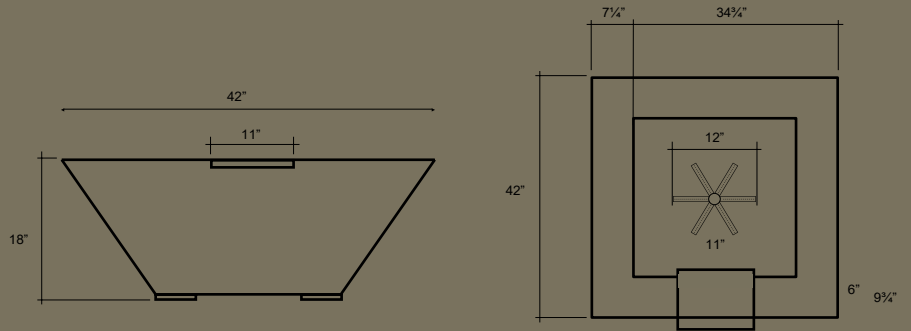
# Lombard-P

SPECIFICATIONS	
Length/Width	29"
Height	10"
Water Flow	15 GPM
Connection	¾" NPT
Burner Size	12" 6-spoke/65,000-85,000 BTUs (ML/E)
Weight	90 lbs.
Fuel Source	Liquid Propane or Natural Gas
Ignition	PH-Ignite (Electronic)/Key Valve (match lite)
Material	Glass fiber reinforced concrete
Media	Lava rock



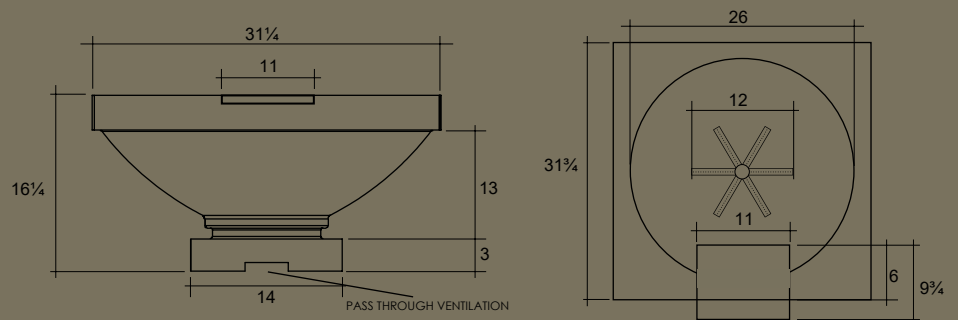
# Lombard-P Tall

SPECIFICATIONS	
Length/Width	29"
Height	10"
Water Flow	15 GPM
Connection	¾" NPT
Burner Size	12" 6-spoke/65,000-85,000 BTUs (ML/E)
Weight	90 lbs.
Fuel Source	Liquid Propane or Natural Gas
Ignition	PH-Ignite (Electronic)/Key Valve (match lite)
Material	Glass fiber reinforced concrete
Media	Lava rock



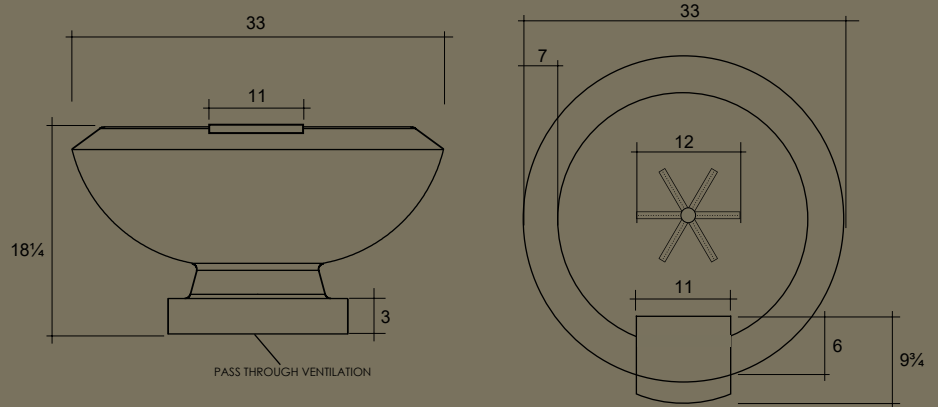
# Ibiza

SPECIFICATIONS	
Length/Width	31 ¼"
Height	16 ¼"
Water Flow	15 GPM
Connection	¾" NPT
Burner Size	12" 6-spoke/65,000-85,000 BTUs (ML/E)
Weight	176 lbs.
Fuel Source	Liquid Propane or Natural Gas
Ignition	PH-Ignite (Electronic)/Key Valve (match lite)
Material	Glass fiber reinforced concrete
Media	Lava rock



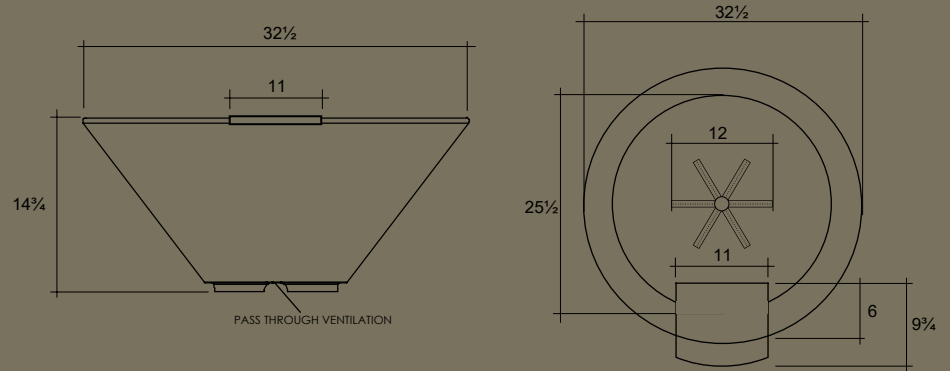
# Toscano

SPECIFICATIONS	
Diameter	33"
Height	18 $\frac{1}{4}$ "
Water Flow	15 GPM
Connection	$\frac{3}{4}$ " NPT
Burner Size	12" 6-spoke/65,000-85,000 BTUs (ML/E)
Weight	180 lbs.
Fuel Source	Liquid Propane or Natural Gas
Ignition	PH-Ignite (Electronic)/Key Valve (match lite)
Material	Glass fiber reinforced concrete
Media	Lava rock



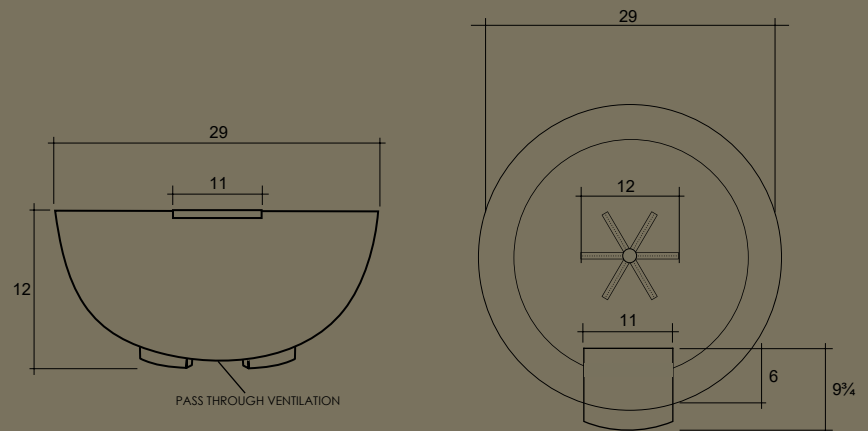
# Verona

SPECIFICATIONS	
Diameter	32 $\frac{1}{2}$ "
Height	14 $\frac{3}{4}$ "
Water Flow	15 GPM
Connection	$\frac{3}{4}$ " NPT
Burner Size	12" 6-spoke/65,000-85,000 BTUs (ML/E)
Weight	140 lbs.
Fuel Source	Liquid Propane or Natural Gas
Ignition	PH-Ignite (Electronic)/Key Valve (match lite)
Material	Glass fiber reinforced concrete
Media	Lava rock



# Moderno 2-P

SPECIFICATIONS	
Diameter	29"
Height	12"
Water Flow	15 GPM
Connection	$\frac{3}{4}$ " NPT
Burner Size	12" 6-spoke/65,000-85,000 BTUs (ML/E)
Weight	110 lbs.
Fuel Source	Liquid Propane or Natural Gas
Ignition	PH-Ignite (Electronic)/Key Valve (match lite)
Material	Glass fiber reinforced concrete
Media	Lava rock



Ibiza

We believe in spaces that are designed for living, making memories, and enjoying life.





Fire



Water



Fire & Water



Lombard-P Tall



Lombard-P



Verona



Ibiza



Moderno 2-P



Toscana



Sorrento

# PH-Ignite Electronic Ignition System

## SMART, SAFE, CONVENIENT

### Hassle-Free Ignition, Zero Worries

#### 12 VAC Inlet Power

Compliant with National Electrical code 2014, article 68.

May be installed within five feet of pool water.

#### Weatherproof/Anti-Corrosion Enclosure

Protects internal components from harsh weather and is built to last.

#### Electronic Ignition

Convenient fire feature lighting and instant flame monitoring.

#### Hot Surface Ignition

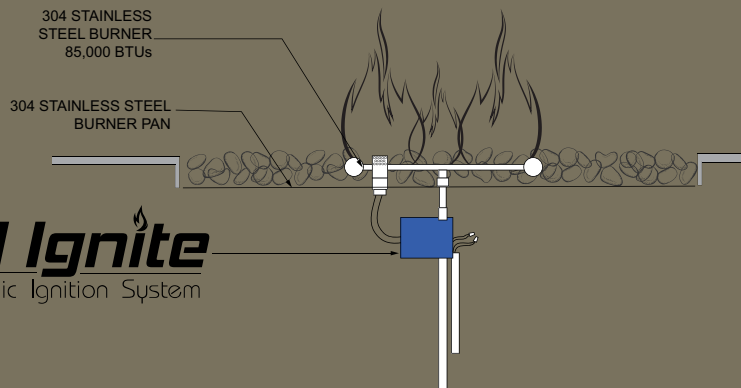
Robust and reliable ignition.

#### Waterproof Pilot Connector

Corrosion-proof electrical connection.

#### Compact Design

Conveniently fits into your fire feature.



**PH Ignite**  
Electronic Ignition System

## FIRE FEATURE COLOR OPTIONS



PEWTER



NATURAL



EBONY



CAFE



ULTRA



COASTAL

## FIRE MEDIA OPTIONS

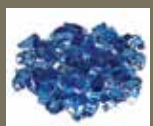
### Lava Rock (Standard)



### Tumbled Lava Rock



## Fire Glass



Aqua



Black



Mist



Golden



Smoke



Azura



Bronze



PRISMHARDSCAPES.COM



**POOL**