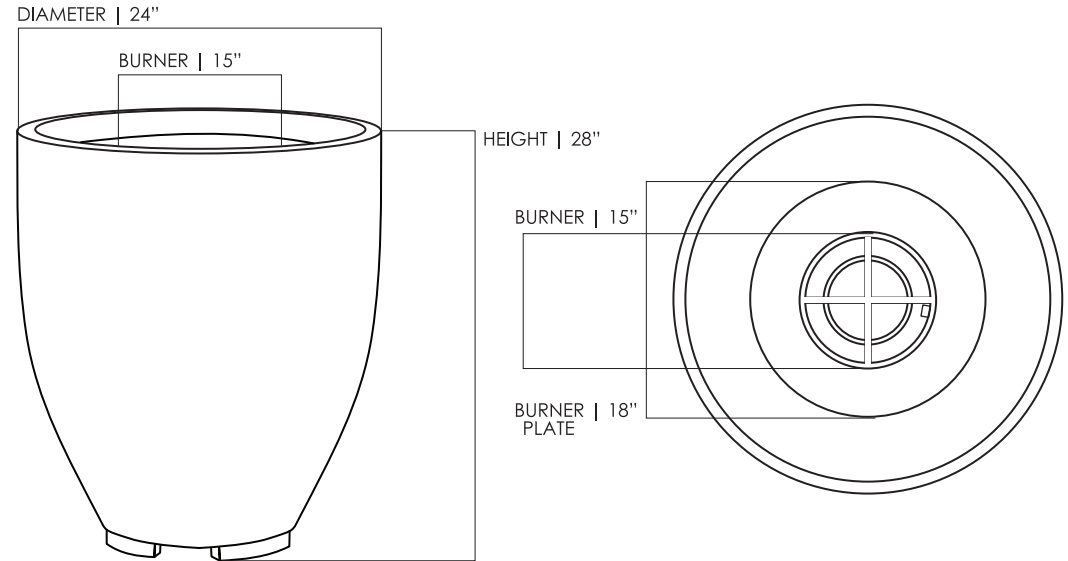


Pentola 1



SPECIFICATIONS

Diameter	24"
Height	28"
Burner Size	15" Diameter / 65,000 BTU
Weight	135 lbs.
Fuel Source	LP or NG
Ignition	Key Valve
Materials	Glass fiber reinforced cement



Pentola 2



SPECIFICATIONS

Diameter	24"
Height	21"
Burner Size	15" Diameter / 65,000 BTU
Weight	125 lbs.
Fuel Source	LP or NG
Ignition	Key Valve
Materials	Glass fiber reinforced cement

