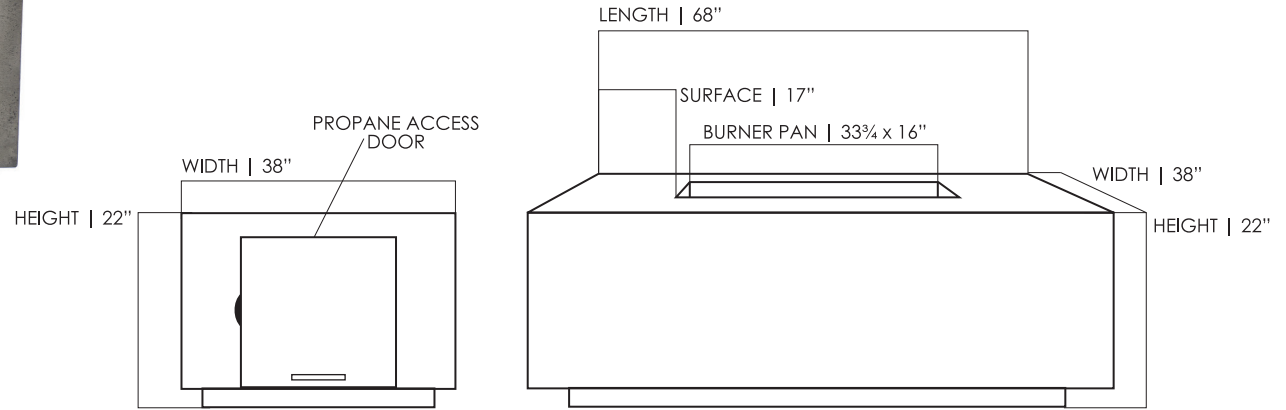


Porto (Enclosed Propane Unit)

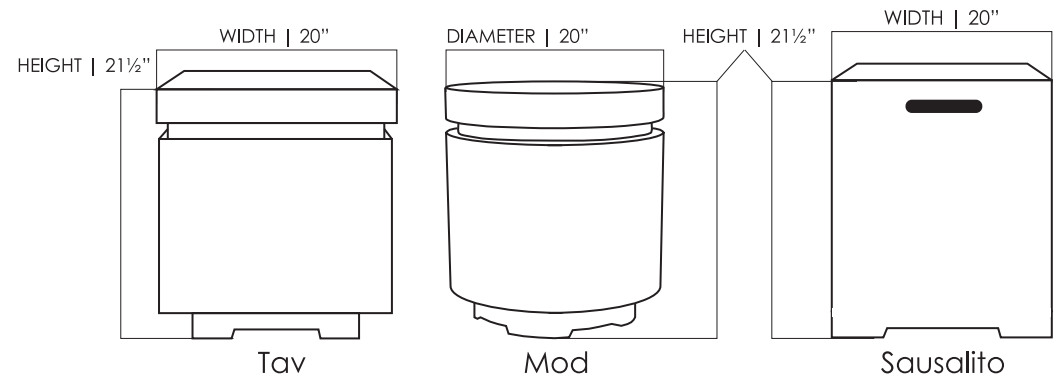


SPECIFICATIONS

Width	38"
Length	68"
Height	22"
Surface	17" / 11"
Burner Plate Size	33¾" x 16" / 65,000 BTU
Weight	400 lbs.
Fuel Source	LP or NG
Ignition	Key Valve
Materials	Glass fiber reinforced cement



Propane Enclosures



TAV SPECIFICATIONS

Width	20"
Height	21½"
Weight	80 lbs.
Materials	Glass fiber reinforced cement

MOD SPECIFICATIONS

Diameter	20"
Height	21½"
Weight	80 lbs.
Materials	Glass fiber reinforced cement

SAUSALITO SPECIFICATIONS

Width	20"
Height	21½"
Weight	80 lbs.
Materials	Glass fiber reinforced cement