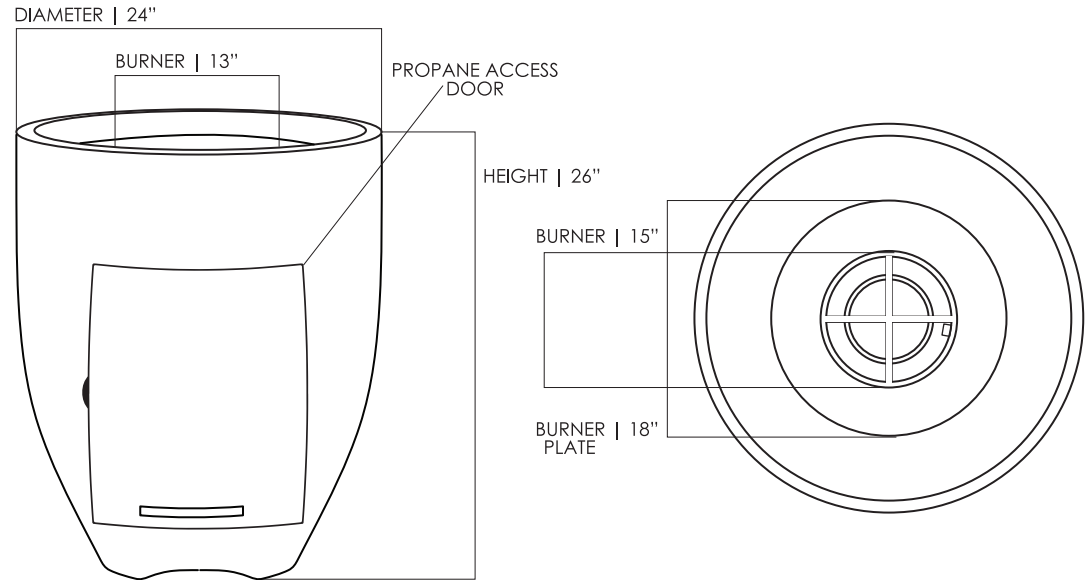


Pentola 3 (Enclosed Propane Unit)



SPECIFICATIONS

| | |
|-------------|-------------------------------|
| Diameter | 24" |
| Height | 26" |
| Burner Size | 13" Diameter / 65,000 BTU |
| Weight | 135 lbs. |
| Fuel Source | Enclosed Propane |
| Ignition | Key Valve |
| Materials | Glass fiber reinforced cement |



Scatola



SPECIFICATIONS

| | |
|-------------|-------------------------------|
| Width | 20" |
| Height | 18" |
| Burner Size | 14" Square / 65,000 BTU |
| Weight | 130 lbs. |
| Fuel Source | LP or NG |
| Ignition | Key Valve |
| Materials | Glass fiber reinforced cement |

