

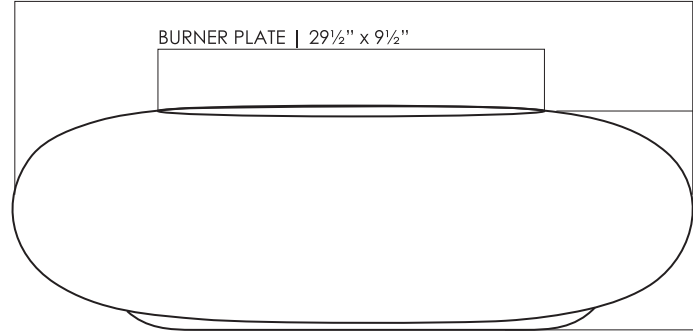
Pebble



SPECIFICATIONS

Width	38"
Length	56"
Height	16"
Burner Plate Size	33½" x 16" / 65,000 BTU
Weight	350 lbs.
Fuel Source	LP or NG
Ignition	Key Valve
Materials	Glass fiber reinforced cement

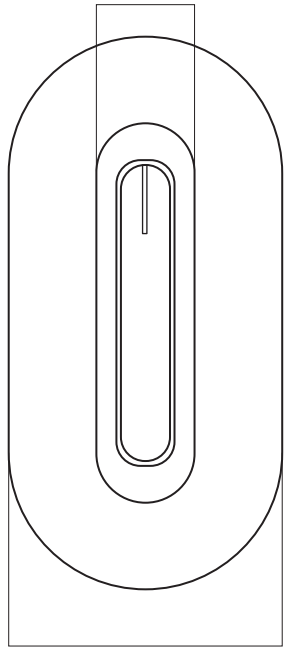
LENGTH | 56"



BURNER PLATE | 29½" x 9½"

HEIGHT | 16"

BURNER PLATE | 29½" x 9½"



WIDTH | 38"

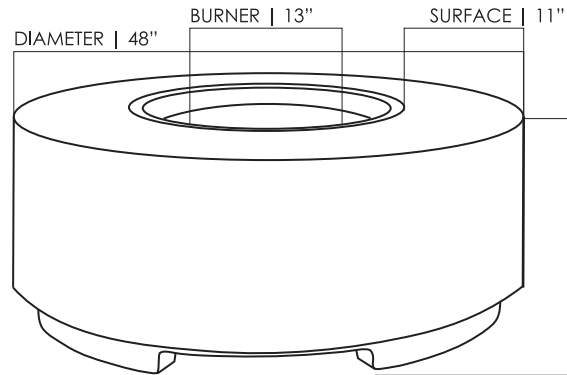
Rotondo



SPECIFICATIONS

Diameter	48"
Height	18"
Surface	11"
Burner Size	13" Diameter / 65,000 BTU
Weight	430 lbs.
Fuel Source	LP or NG
Ignition	Key Valve
Materials	Glass fiber reinforced cement

DIAMETER | 48"



BURNER | 13"

SURFACE | 11"

HEIGHT | 18"

SURFACE | 11"

BURNER | 13"

